

Changes for the Better

MITSUBISHI ELECTRIC
MULTIMEDIA DATA/VIDEO PROJECTORS

XL1U/SL1U



Specifications

Models	XL1U	SL1U
Display technology	0.7" Polysilicon panel x 3	0.7" Polysilicon panel x 3
Resolution	1024 x 768 (total 2,359,296 pixels), 540 video lines	800 x 600 (total 1,440,000 pixels), 540 video lines
Brightness	1100 ANSI Lumens (maximum)	1000 ANSI Lumens (maximum)
Colours	16,770,000 colours	16,770,000 colours
Zoom / focus	Manual control (zoom ratio: 1.2 : 1)	Manual control (zoom ratio: 1.2 : 1)
Picture size	30" ~ 300" (100"=3.8 m)	30" ~ 300" (100"=3.8 m)
Source lamp	150W bulb	150W bulb
Computer compatibility	VGA® ~ SXGA® (640 x 400 ~ 1280 x 1024), True: 1024 x 768, Sync on green available	VGA® ~ XGA® (640 x 400 ~ 1024 x 768), True: 800 x 600, Sync on green available
Video compatibility	NTSC / NTSC 4.43 / PAL (including PAL-M, N) / SECAM / PAL-60 / DVD (component)	NTSC / NTSC 4.43 / PAL (including PAL-M, N) / SECAM / PAL-60 / DVD (component)
Input terminals	PC: mini D-sub 15 pin x 1, Video: RCA + S video x 1, PC/video audio: stereo RCA x 1	PC: mini D-sub 15 pin x 1, Video: RCA + S video x 1, PC/video audio: stereo RCA x 1
Output terminals	RGB: mini D-sub 15 pin x 1	RGB: mini D-sub 15 pin x 1
Communication terminals	RS-232C x 1 (direct command is available, DIN 8 pin), mouse terminal for USB	RS-232C x 1 (direct command is available, DIN 8 pin)
Audio speaker	1 W Mono	1 W Mono
Fan noise	34dB (Low mode in Lamp mode)	34dB (Low mode in Lamp mode)
Dimensions (W x H x D)	237 x 94 x 315 mm / 9.3" x 3.7" x 12.4" (including lens and feet)	237 x 94 x 315 mm / 9.3" x 3.7" x 12.4" (including lens and feet)
Weight	2.9 kg / 6.5 lbs	2.9 kg / 6.5 lbs
Power supply	AC100 ~ 240 V / ±10 %, 50/60 Hz	AC100 ~ 240 V / ±10 %, 50/60 Hz

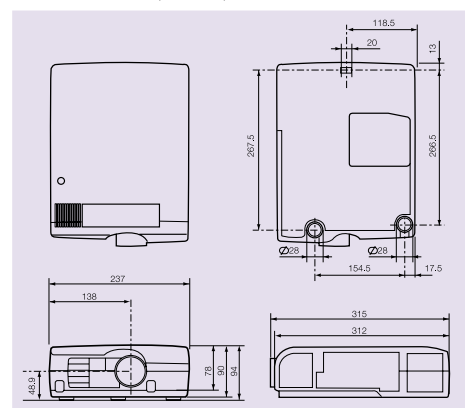
* Windows is a registered trademark of Microsoft Corporation. * Macintosh is a registered trademark of Apple Computer Inc.
* SXGA, XGA and SVGA are registered trademarks of IBM Corporation.
* All brand names and product names are trademarks, registered trademarks or trade names of their respective holders.

Input and Output Terminals

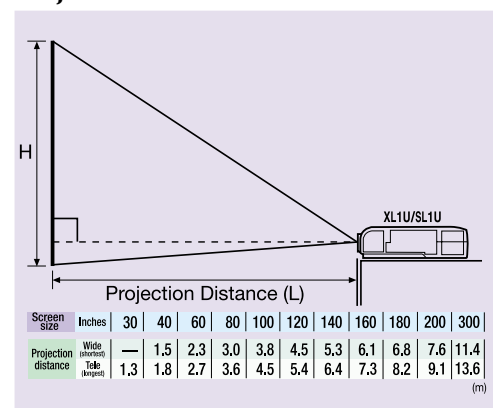


- 1 PC analogue RGB input (mini D-SUB 15P)
- 2 PC analogue RGB output (mini D-SUB 15P)
- 3 RS-232C input (Din-8P)
- 4 USB input
- 5 Video/audio input

Dimensions (unit: mm)



Projection distance at each screen size



MITSUBISHI ELECTRIC AUSTRALIA
348 VICTORIA RD, RYDALMERE NSW 2116 PH: (02) 9684 7777 FAX: (02) 9684 7208

To find out more about sRGB and our projectors, visit us at
www.mitsubishi-electric.com.au

Get Connected

Get Mobile



Get influential

It's Small,
But
It's Got It All

A lightweight portable projector with superior colour rendition and quality images

XL1U XGA®
1100 ANSI
Lumens (max)

SL1U SVGA®
1000 ANSI
Lumens (max)



High-Quality Images from Mitsubishi - Anywhere, Any Time



Mitsubishi's XL1U and SL1U projectors give you control of the look of your presentation, no matter where your are. With 1100 and 1000 ANSI Lumens maximum brightness respectively, digital zoom, convenient USB mouse terminal, and high-resolution images, these powerful, ultra-portable projectors include everything you need to deliver a persuasive, high-impact presentation anytime, anywhere.

Computer-Precise Colour Reproduction With sRGB

Developed to ensure standard, uniform colour reproduction regardless of the type of display used, sRGB colour profile technology uses colour coordinates common to all display technologies. As a result, it eliminates the hue variations that occur between different display systems and accurately matches the way colours look in real life.



HIGH PICTURE QUALITY

Natural Color Matrix™

Mitsubishi's new "Natural Color Matrix™" enables the XL1U and SL1U to produce vivid colours that precisely match their real-life counterparts, as well as giving you the ability to precisely adjust colour saturation and control colour tones. Like a CRT monitor, new "Natural Color Matrix™" gives you exactly the colours you want.



Without Natural ColorMatrix™ Without Natural ColorMatrix™

IRIS® (Intelligent Room Illumination Sensor)

Room illumination can have a significant effect on the quality and accuracy of colour reproduction on-screen. The brighter the room, the brighter the screen, and the duller the colour. The XL1U and SL1U built-in IRIS® automatically detects light volume and colour density, automatically adjusting mid-range colour tones as required for optimal colour reproduction under any lighting conditions.



BRIGHTNESS - XLIU

1100 ANSI Lumens maximum

In spite of their compact size, these projectors feature light output of 1100 ANSI lumens, ensuring that projected images are always clear, bright and easy to view, regardless of the lighting conditions.



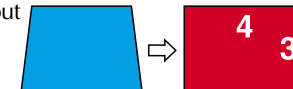
CONVENIENCE

Digital-Expanded Zoom

Explain and show details of your presentation more clearly with Mitsubishi's Point-'n-Zoom feature. Variable digital enlargement allows a section of an image to be magnified.

Digital Keystone Correction

A must for portable projectors, Digital Keystone Correction ensures accurate, undistorted projection images even when you are unable to set up the projector at the ideal angle. You'll be able to project at an angle up to 15° without worrying about trapezoid image distortion or zigzagging.



SL1U



- sRGB mode
- 1000 ANSI Lumens maximum
- New Natural Color Matrix™
- IRIS® (Intelligent Room Illumination Sensor)
- Digital Keystone Correction
- Digital-Expanded Zoom